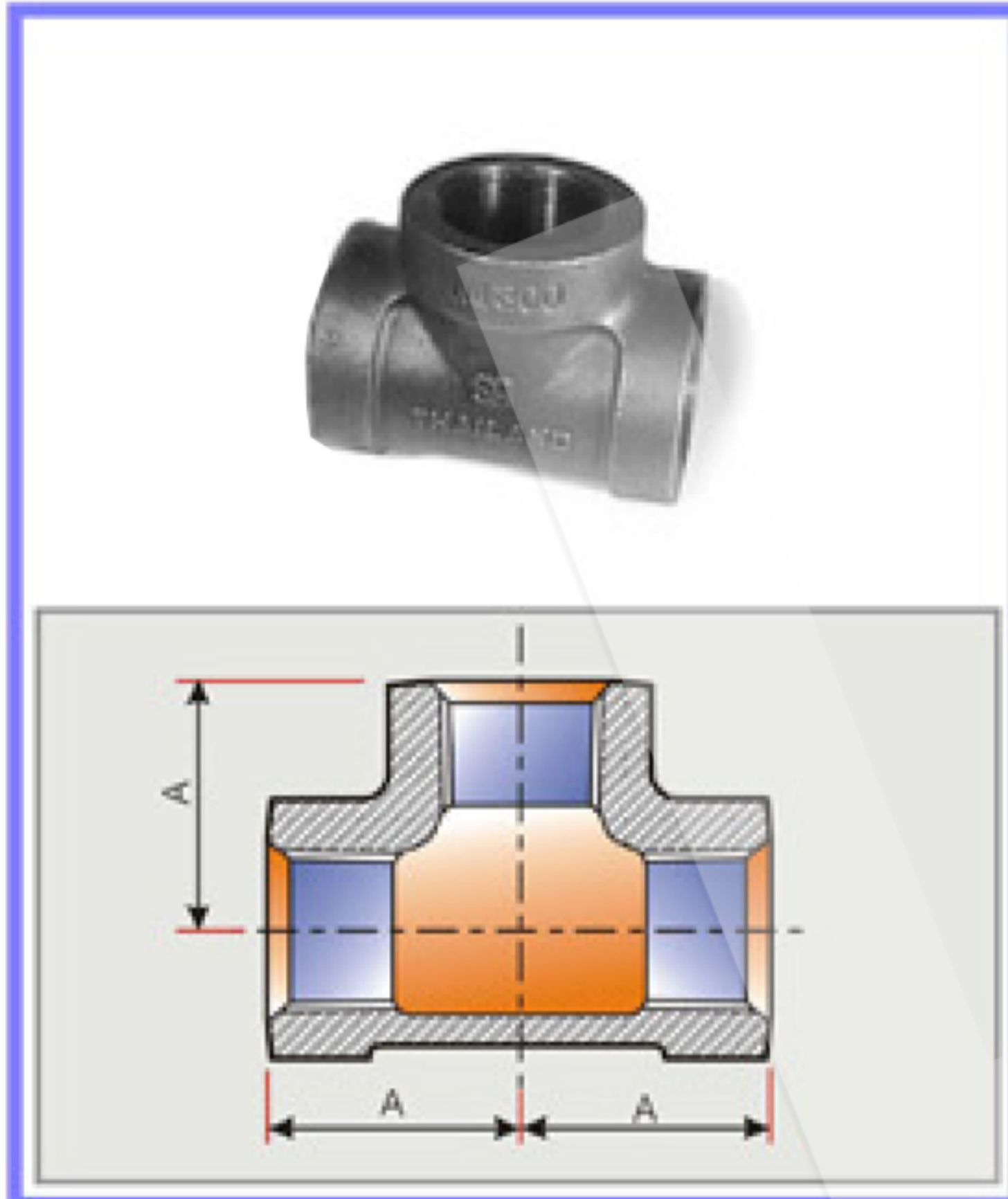


PACKING LISTS and SPECIFICATION STANDARD

MALLEABLE IRON PIPE FITTINGS CLASS 300 lbs.

TEES	Size (inch)	Dimensions A	Inner Box Pcs./Box	Master Ctn. Pcs./Ctn.	NO.of Inner Box	Weight/Pcs	N.W./Ctn. (Kgs.)
BXHT	1/4	23.9	120	240	2	0.1332	32
	3/8	26.9	90	180	2	0.1941	35
	1/2	31.7	30	60	2	0.3066	18
	3/4	36.6	20	40	2	0.4887	20
	1	41.4	12	24	2	0.7101	17
	1 1/4	49.3	10	20	2	1.1340	23
	1 1/2	54.1	6	12	2	1.5140	18
	2	63.5	4	8	2	2.3675	19
	2 1/2	74.7	2	4	2	3.9300	16
	3	85.8	1	2	2	5.8400	12
	4	105.0	1	2	2	9.3580	17



*** THE ACTUAL WEIGHT CAN VARY BY ± 3%**